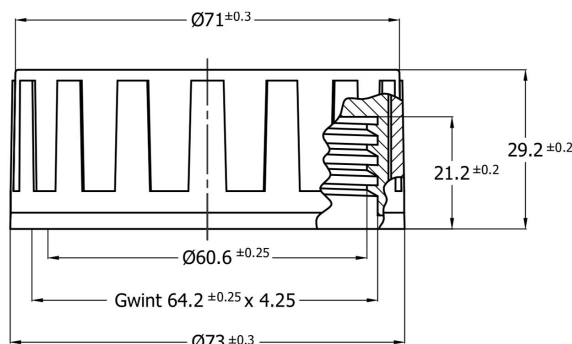


## Safety cap K63B/ child-resistant closure

K63B safety caps have a two piece child-resistant closure system to protect against its unauthorized access or use. This closure provides an obstacle to children being able to remove the closure from the container. Certificate issued by the Łukasiewicz Research Network - Institute for Engineering of Polymer Materials and Dyes, Paint & Plastics Department. Department of Standardization and Certification of Products in Gliwice, Poland. Accredited by PCA and accredited with certificate No. AC 004.

### K63B/..



### Order code

K63B/ colour / sealing insert

Example: K63B/B/P (white K63B cap with polyethylene foam)  
K63B/Y/I (yellow K63B cap, induction sealing)

Marking of standard colors:

B white, Y yellow, O orange, C red, N blue, Z green, BR brown, CZ black.

**Dedicated client colors will be prepared for approval. Please use RAL or Pantone symbol.**

### Sealing insert types

- I – induction sealing
- IO – induction sealing with venthyl
- P – polyethylene foam sealing
- PO – polyethylene foam sealing with venthyl

### Important information

- recommended closing force 5-6 Nm with K63 cap series. Exceeding 8 Nm may damage the insert or cap and also result in leaks,
- do not cause the seal density above 40%.
- for proper operation the cap requires the correct neck geometry and a compatible container,
- during the heating season, it is recommended to store the caps for at least 24 hours in a heated room before use.

### Packing – Palletizing

Packing unit/box	250 pcs/box	Pallette	120 x 80 cm
Pallette – 30 box	7 500 pcs	Pallette weight	260 kg
		Pallette height	210 cm
Cap with insert weight	30.6g ± 0.5	Box WxLxH	385x385x380mm
Material HDPE	Hostalen GC7260	Box weight	8,2 kg

edit date 11.02.2020r.

NS Automatyka Sp. z o.o.  
37-310 Nowa Sarzyna, ul. Leśna 2a  
tel.: +48 17 2411380  
zamowienia@nsautomatyka.com.pl  
www.nsautomatyka.com.pl



VAT EU PL8161501450  
REGON 690690533  
BDO 00002881

ISO 9001: 2015